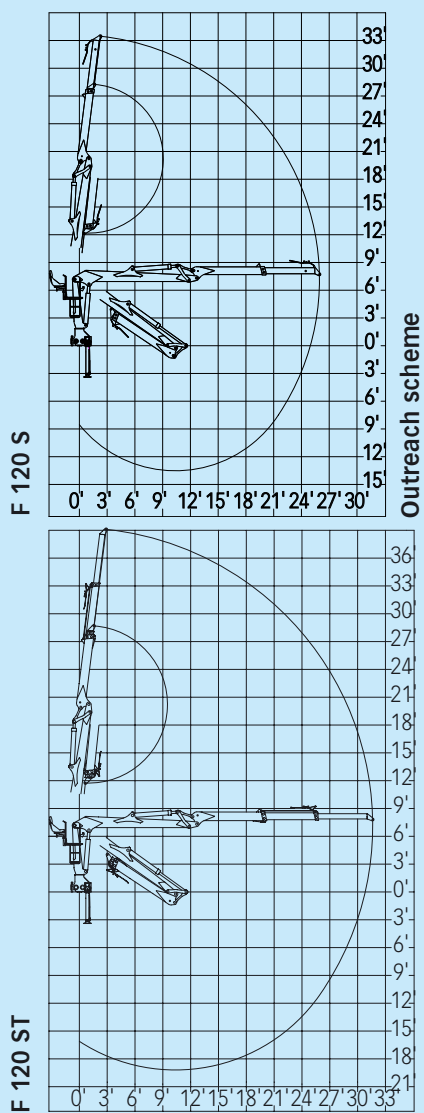
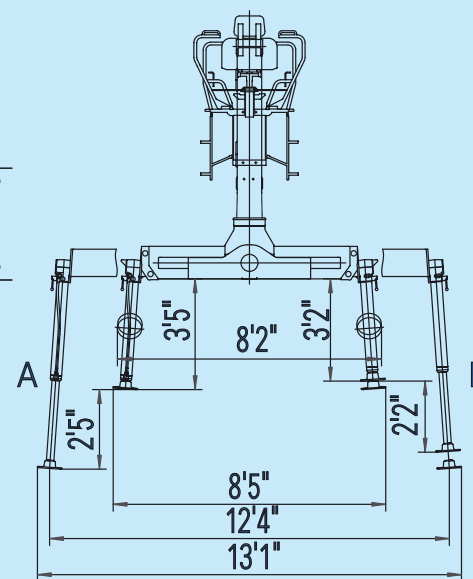
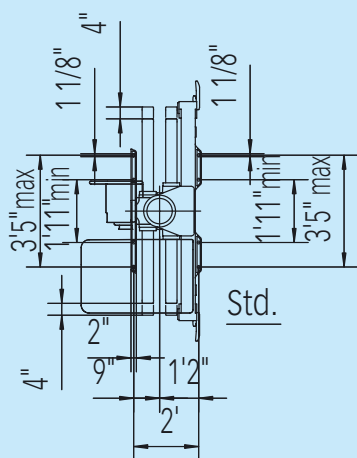


# LOGLIFT 120 S



**Capacity diagram**  
(Permitted load without lifting accessories)



HYDRAULIC LOG LOADER SPECIFICATION		F 120 S 79 (standard)	F 120 ST 96 (with telescopic boom)
Lifting moment	gross	106200 lbf.ft	
	net	84100 lbf.ft	79700 lbf.ft
Max. outreach	ft	25'11"	31'7"
Stroke of boom extension	ft	5'3"	10'6"
Slewing torque, gross	lbf.ft	20300	
Slewing angle	(degrees)°	425	
Height: bottom → upper joint in pillar	ft	7'2"	
Road width	ft	8'2"	
Weight without oil and grapple	lbs	4360	4650
<b>PUMP RECOMMENDED</b>	working pressure	3480 psi	
	oil flow	2 x 18 - 21 US gpm	
	power input	48 - 95 hp	
<b>EQUIPMENT</b>			
<b>ROTATORS</b>	<b>models</b>	<b>MR 8 AF</b>	<b>GV 12-2</b>
Slewing angle	unlimited∞	∞	∞
Slewing torque (3480 psi)	lbf.ft	1400	1550
Weight	lbs	123	128
<b>LOG GRABS</b>	<b>models</b>	<b>X 42</b>	<b>X 56</b>
Jaw pressure (3480 psi)	lbf	4220	3990
Holding area	ft <sup>2</sup>	4.3	5.4
Weight	lbs	485	496

We reserve the right to make changes. Illustrations, drawings and data are not always in accordance with the latest version or standard model in production. The loaders have to be equipped, installed and operated in conformity with the local laws and stipulations.

**LOGLIFT**

**Loglift Jonsered Cranes Oy Ab**  
Tehdaskatu 7, P.O.Box 54  
FIN-24101 Salo, Finland  
Tel. +358 204 55 2599, fax +358 204 55 2500  
www.loglift.com

**Cargotec Inc.**  
12233 Williams Road  
Perrysburgh, Ohio 43551, USA  
Tel. (419) 482-6000, fax (419) 482-6001  
www.cargotec.com

