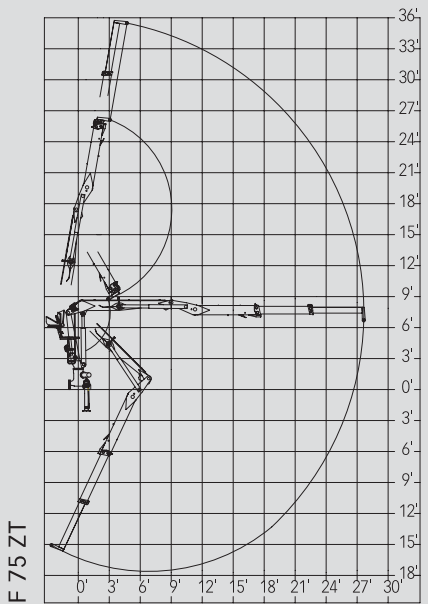
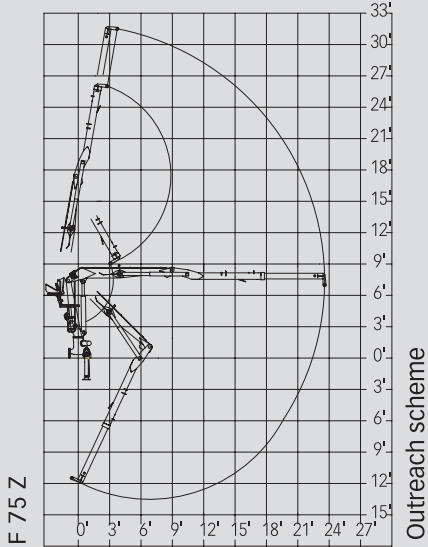
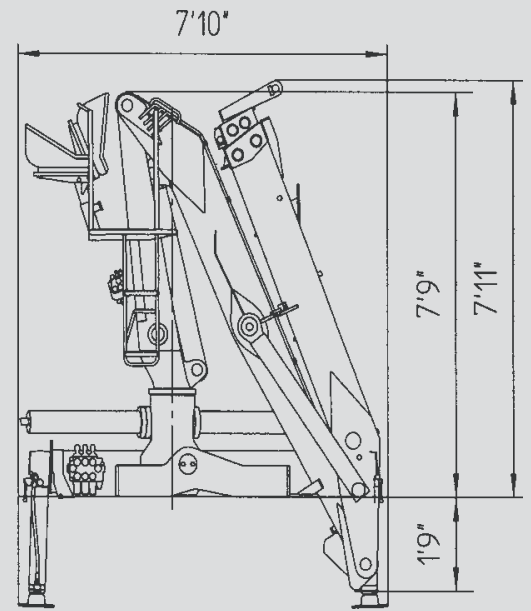
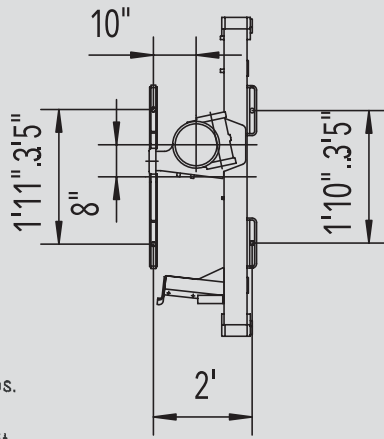
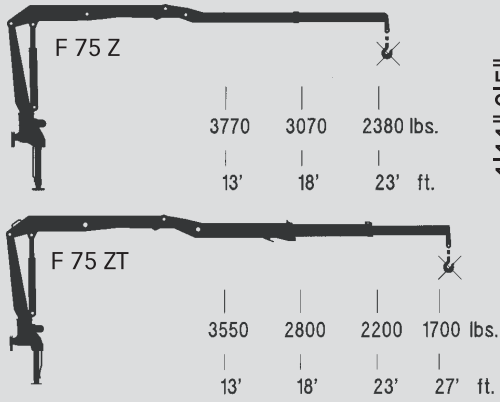


Loglift 75 Z



Capacity diagram
(Permitted load without lifting accessories)



Hydraulic Log Loader Loglift 75 Z Specification			F 75 Z	
			72	T 85
Lifting moment	gross	lbf.ft	73760	
	net	lbf.ft	55320	50150
Max. outreach		ft	23'7"	27'8"
Stroke of boom extension		ft	5'7"	9'6"
Slewing torque, gross		lbf.ft	12240	
Slewing angle		(degrees) ⁰	415	
Loader height		ft	8'8"	
Road height		ft	7'9"	7'11"
Road width		ft	7'10"	
Weight without oil and grab		lbs	3400	3680
Pump recommended	working pressure	psi	3190	
	oil flow	US gpm	1x16-18 / 2x13-16	
	power input	hp	31-62	
Equipment				
Rotators		models	MR 8 AF	GV 12-2
Slewing angle		unlimited ∞	∞	∞
Slewing torque (2900 psi)		lbf.ft	1180	1620
Weight		lbs	123	128
Log Grabs		models	FX36	FX42
Jaw pressure (3190 psi)		lbf	2590	3870
Holding area		ft ²	3.8	4.3
Weight		lbs	385	485

0204



A Hiab Company

Corporate Office: Hiab, Inc.
12233 Williams Road, Perrysburg, Ohio 43551
Tel: 419 482 6000 Fax: 419 482 6001
e-mail: us.sales@hiab.com web: www.hiabus.com