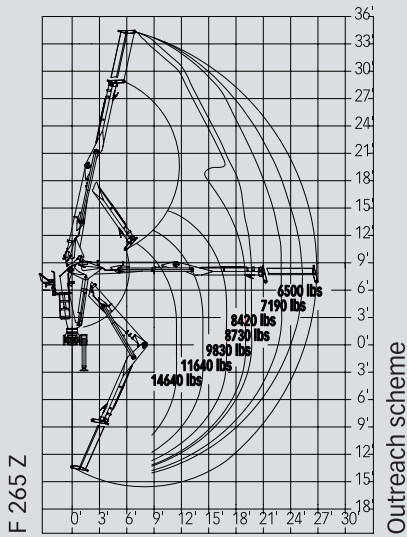
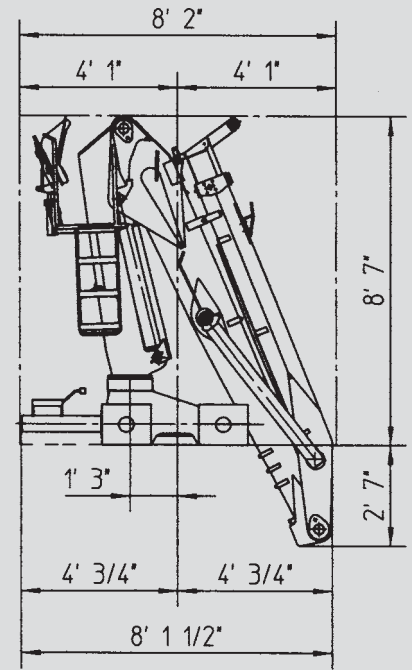
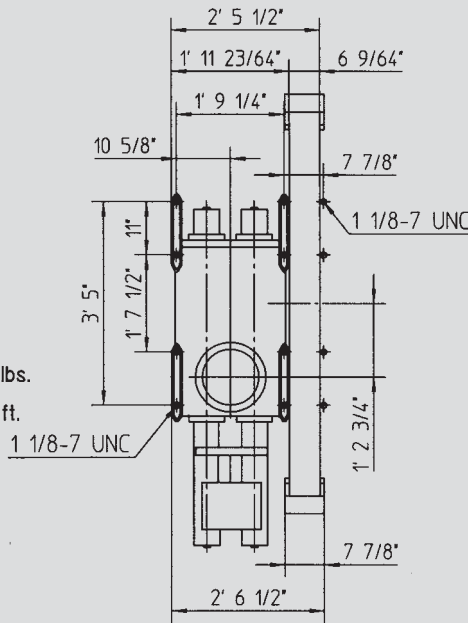
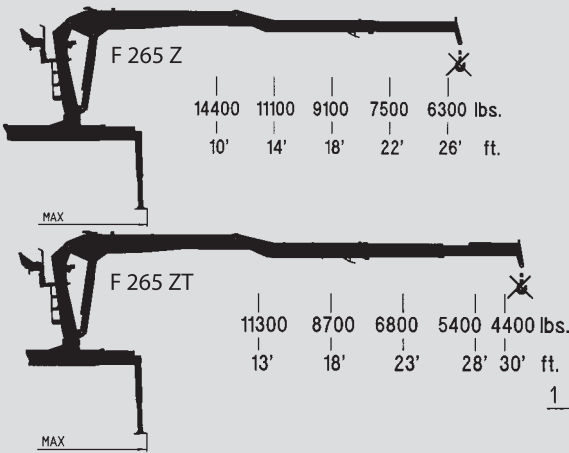


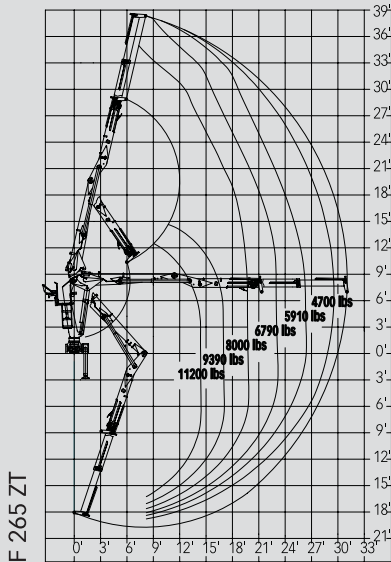
Loglift 265 Z



Capacity diagram
(Permitted load without lifting accessories)



Outreach scheme



F 265 ZT

Hydraulic Log Loader Loglift 265 Z Specification		F 265 Z	
		82	T 95
Lifting moment, net	lbf.ft	166000	157840
Outreach	ft	26'10"	31'
Stroke of boom extension	ft	5'7"	9'9"
Slewing torque, gross	lbf.ft	26850	
Slewing angle	(degrees) ⁰	370	
Road height	ft	8'7"	
Road width	ft	8'1 1/2"	
Weight without oil and grab and outriggers	lbs	4800	5180
Weight of outriggers	ET 450 Z	lbs 990	
	SY 550	lbs 1210	
Pump recommended	working pressure	psi 3920	
	oil flow	US gpm 21 / 2x21	
	power input	hp 51 - 102	
Equipment			
Rotators	models	MR 8 AF	GV 12-2
Slewing angle	unlimited [∞]	∞	∞
Slewing torque (2900 psi)	lbf.ft	1180	1330
Weight	lbs	123	128
Log Grabs	models	TX56B	
Jaw pressure (3920 psi)	lbf	4880	
Holding area	ft ²	5.4	
Weight	lbs	760	



A Hiab Company

Corporate Office: Hiab, Inc.
12233 Williams Road, Perrysburg, Ohio 43551
Tel: 419 482 6000 Fax: 419 482 6001
e-mail: us.sales@hiab.com web: www.hiabus.com