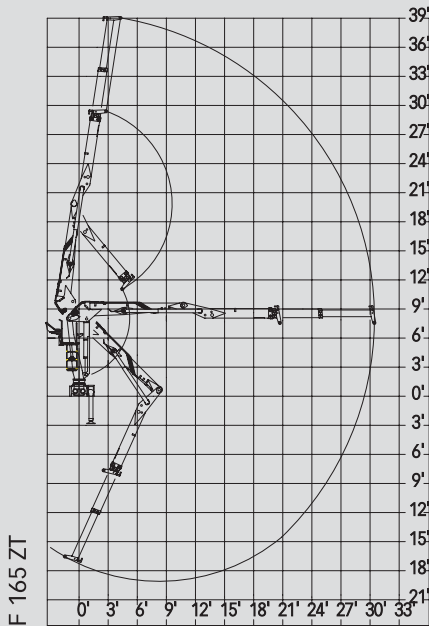
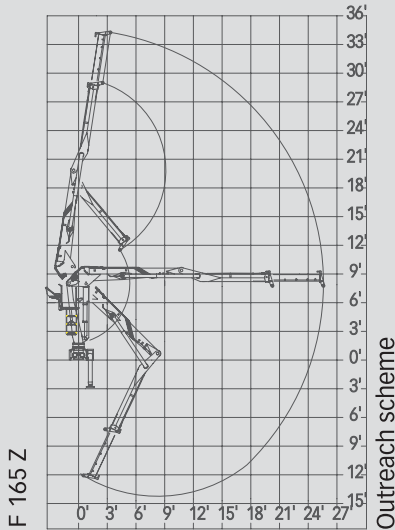
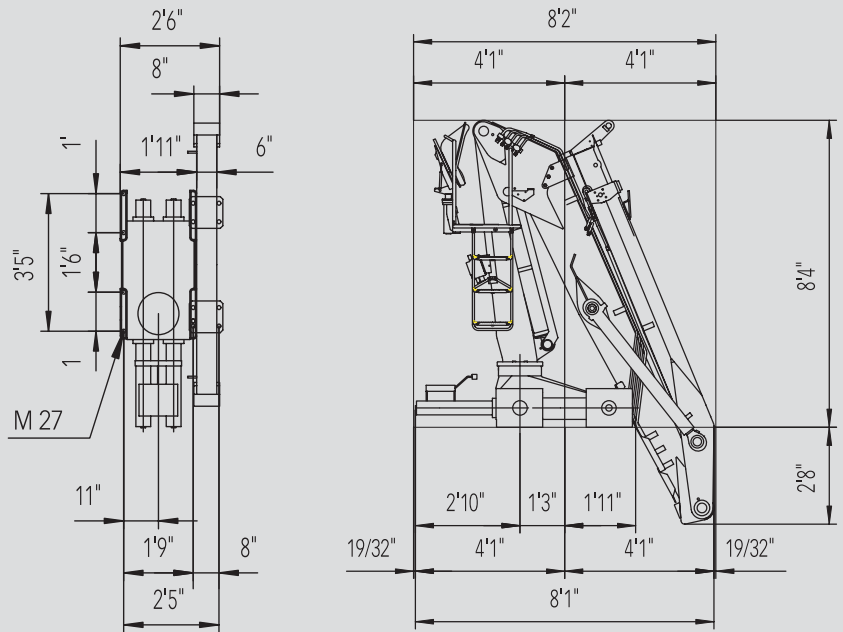
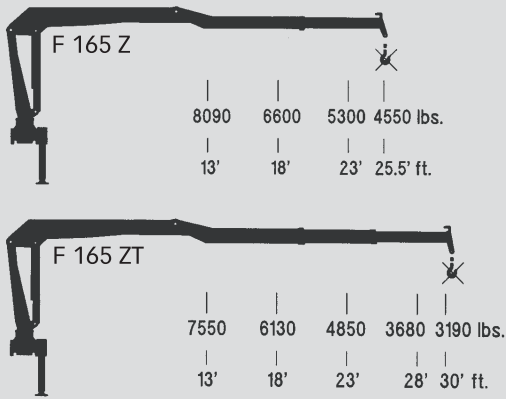


Loglift 165 Z



Capacity diagram
(Permitted load without lifting accessories)



Hydraulic Log Loader Loglift 165 Z Specification		F 165 Z	F 165 ZT
Lifting moment, net	lb.ft	121700	112110
Outreach	ft	25'7"	30'5"
Stroke of boom extension	ft	5'4"	9'9"
Slewing torque, gross	lb.ft	22865	
Slewing angle	(degrees) ^o	412	
Road height	ft	8'4"	
Road width	ft	8'1"	8'2"
Weight without oil, grapple and outriggers	lbs	4030	4520
Weight of outriggers	ET 450	lbs	990
	B 5500	lbs	1370
	SY 550	lbs	1210
Pump recommended	working pressure	psi	3190
	oil flow	US gpm	21 / 2 x 21
	power input	hp	43-86
Equipment			
Rotators	models	MR 8 AF	GV 12-2
Slewing angle	∞	∞	∞
Slewing torque (2900 psi)	lb.ft	1180	1620
Weight	lbs	121	128
Log grabs	models	X42	X56
Holding area	ft ²	4.3	5.4
Jaw pressure (3190 psi)	lbf	3870	3660
Weight	lbs	485	496

0204