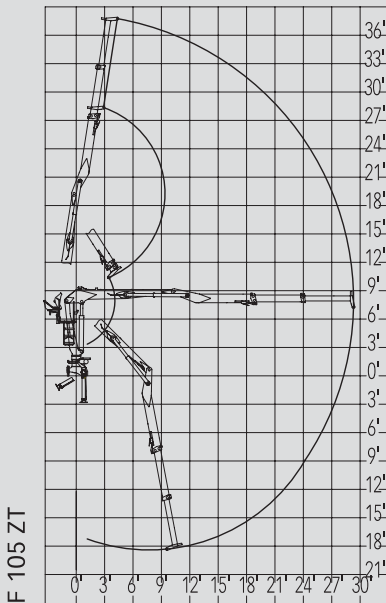
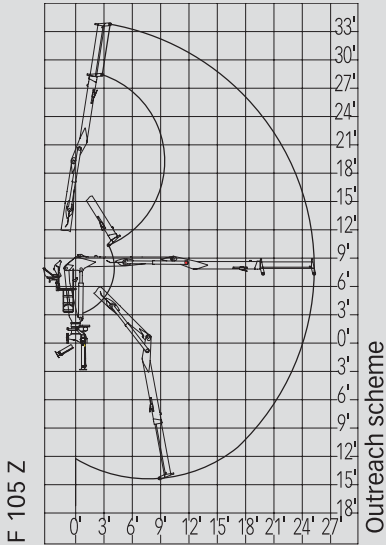
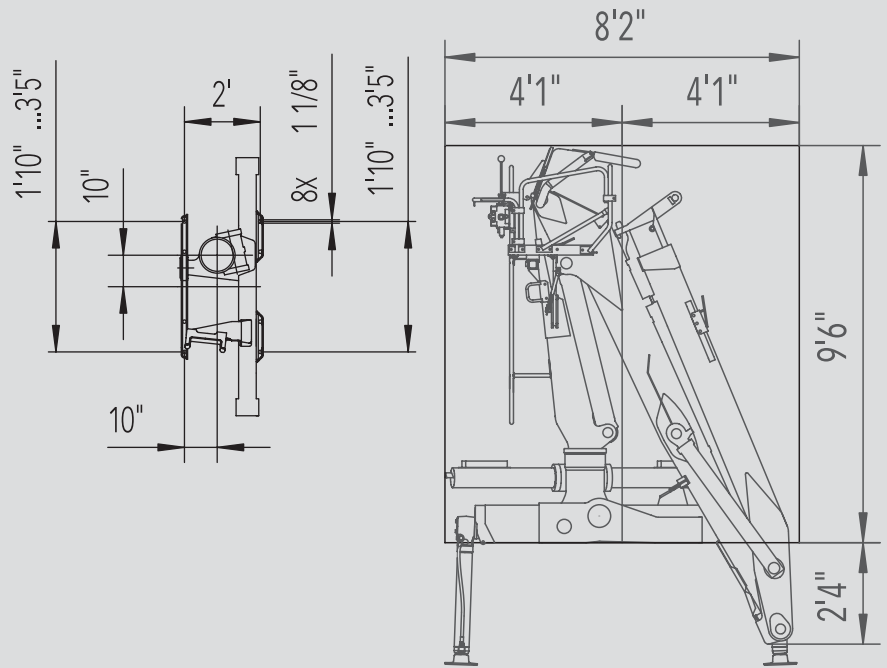
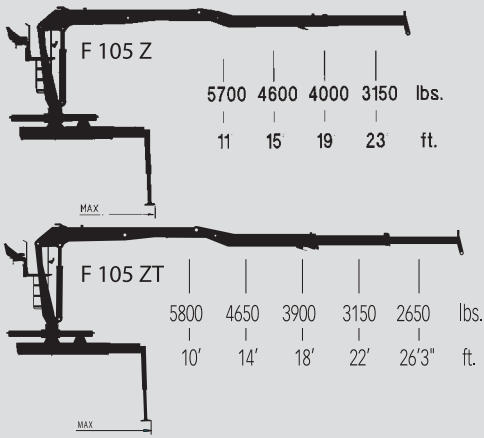


Loglift 105 Z



Capacity diagram
(Permitted load without lifting accessories)



Hydraulic Log Loader Loglift 105 Z Specification			F 105 Z	F 105 ZT
Lifting moment	gross	lbf.ft	97400	
	net	lbf.ft	75200	70100
Max. outreach		ft	25'3"	29'4"
Stroke of boom extension		ft	5'5"	9'6"
Slewing torque, gross		lbf.ft	18440	
Slewing angle		(degrees) ^o	415	
Height: bottom → upper joint in pillar		ft	7'11"	
Road height		ft	8'2"	
Road width		ft	8'2"	
Weight without oil and grab		lbs	4160	4450
Pump recommended	working pressure	psi	3340	
	oil flow	US gpm	1x18 - 24 / 2x16-21	
	power input	hp	64-86	
Equipment				
Rotators		models	MR 8 AF	GV 12-2
Slewing angle		unlimited ∞	∞	∞
Slewing torque (2900 psi)		lbf.ft	1180	1620
Weight		lbs	121	128
Log grabs		models	X42	X56
Jaw pressure (3340 psi)		lbf	4050	3820
Holding area		ft ²	4.3	5.4
Weight		lbs	485	496

0204



A Hiab Company

Corporate Office: Hiab, Inc.
12233 Williams Road, Perrysburg, Ohio 43551
Tel: 419 482 6000 Fax: 419 482 6001
e-mail: us.sales@hiab.com web: www.hiabus.com